

# Muto Comfort M50

Wall mount with Dormotion (Wood door)

## Installation instructions

936028 – 05-2018

| EN |

dormakaba 

# Table of contents

<b>1</b>	<b>Technical specifications</b>	<b>3</b>
1.1	Overview	3
	1.1.1 General information	3
	1.1.2 Intended use	3
	1.1.3 Door requirements and fittings	3
	1.1.4 Safety instructions	3
	1.1.5 Symbols used - Safety/Installation	3
	1.1.6 Maintenance, care, repair	3
	1.1.7 Disposal	3
<b>2</b>	<b>Installation instructions</b>	<b>4</b>
2.1	Overall	4
2.2	Securing wood door adaptor	5
2.3	Securing track to mounting surface	5
2.4	Door/wall dimensions	6
2.5	Specifications - technical data	6
2.6	Installing roller carriers: on monolithic glass ONLY	7
2.7	Installing DORMOTION	7
2.8	Installing end stops	8
2.9	Install glass/rollers in track	8
2.10	Engaging anti-jump	9
2.11	Install floor guide	9
2.12	Secure wood door anti-jump	10
2.13	Adjustment door height	10
2.14	Adjustment end stop location: LEADING end stop Adjustment end stop location: TRAILING end stop	11
2.15	Install DORMOTION start/stops	12
2.16	Cover clips	13
2.17	Install brush profile	13
2.18	Install cover	14
2.19	Install end caps	14

# 1 Technical specifications

## 1.1 Overview

These instructions are for installation of MUTO COMFORT sliding door system M50 for wood doors for the following mounting and style versions:

### 1. Wall mount

#### 1.1.1 General information

- dormakaba glass hardware is not suitable for application in rooms where chemicals (e.g. chlorine) are used as indoor swimming pools, saunas or salt-water pools.
- Never move sliding panels faster than walking speed and always stop the door manually before it reaches end position.
- Do not slide doors with excessive force. Install limiting stop to prevent door from opening too far.

#### 1.1.2 Intended use

- For sliding door in dry indoor areas only
- For manual slowly opening and closing only

#### 1.1.3 Door requirements and fittings

- The substructure/wall must be able to bear permanent loads and be level (max. tolerance: 1/16" [2] per 39" [1m]).
- Fasteners must be sufficiently dimensioned for the substructure/wall and weight of the door.
- When adjusting door components, always stick to the required clearance for the respective hardware.

#### 1.1.4 Safety instructions

- Installation requires two people.
- Only properly qualified and specially trained staff are authorized to mount dormakaba glass hardware.

#### 1.1.5 Symbols used - Safety/Installation



##### CAUTION

Mounting components must meet the requirements of substructure/wall and door weight. Please read the technical information for fittings.



##### WARNING



##### TIPS AND RECOMMENDATIONS

Information note



##### CLOSING EDGE

#### 1.1.6 Maintenance, care, repair

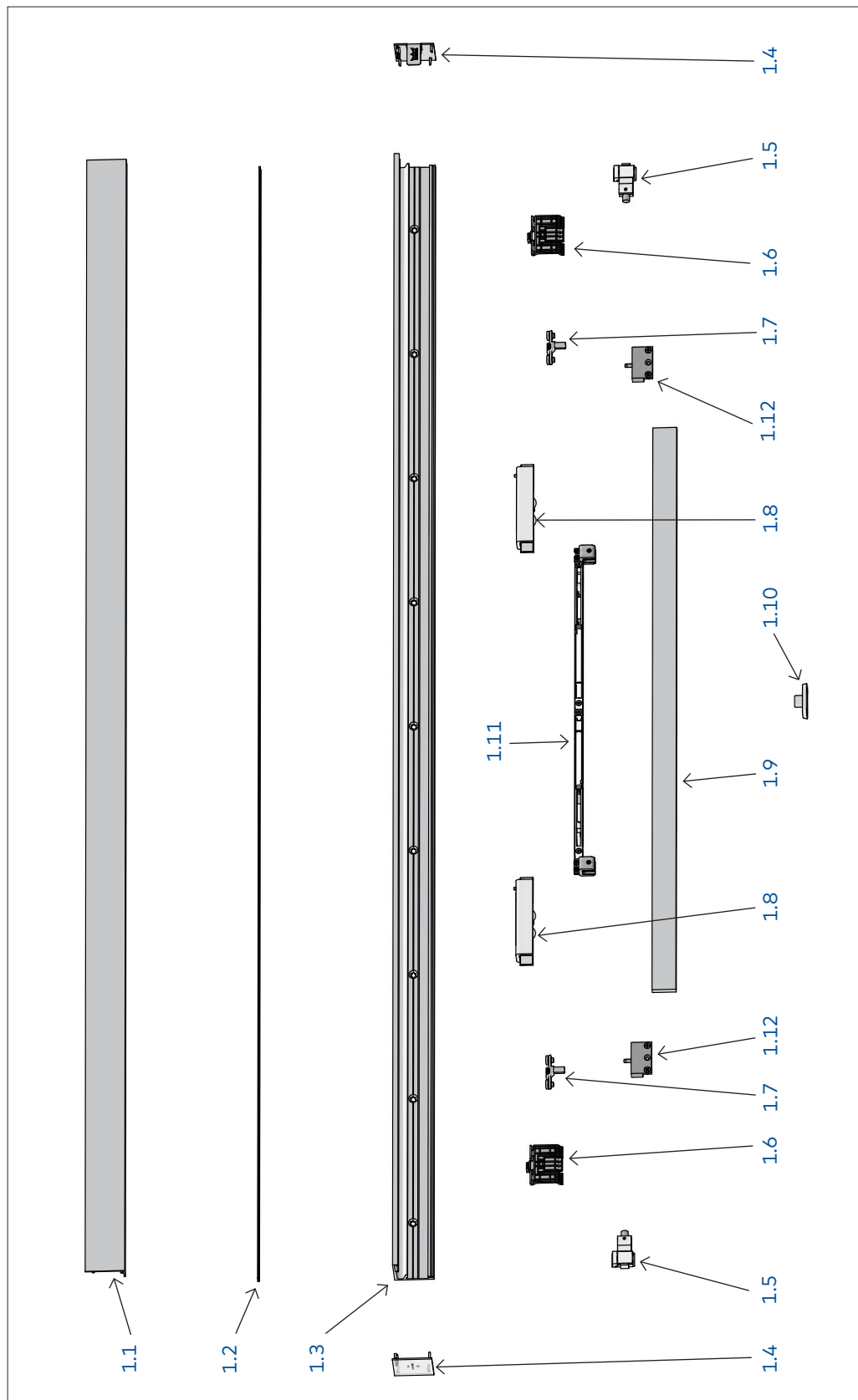
- Immediately replace damaged parts.
- Always use original dormakaba parts.
- Clean clamping area with alcohol-based standard commercial cleaning agent before mounting the glass hardware.
- Use a damp clothe for occasional cleaning, especially the track.
- Always use silicone - and oil-free cleaners (e.g. acetone).
- Check door hardware at regular intervals for proper positioning and smooth operation and correct adjustment.
- High traffic door systems require inspection by properly qualified staff (specialized companies or installation firms.)

#### 1.1.7 Disposal

Disposal in accordance with local, state and national regulations.

# 2 Installation instructions

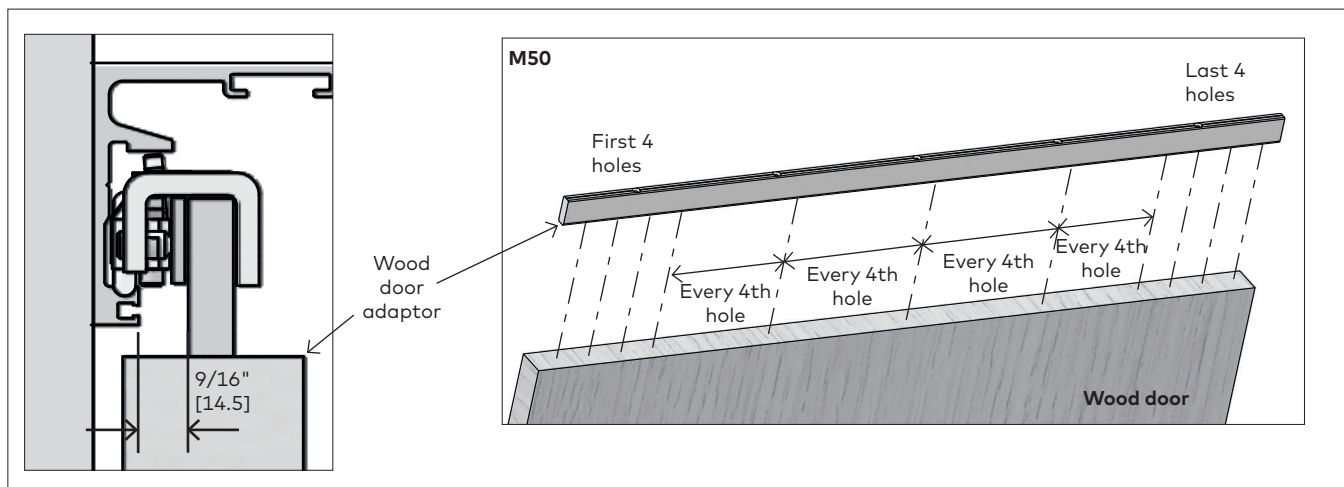
## 2.1 Overall



- 1.1 Cover
- 1.2 Brush strip
- 1.3 Track
- 1.4 Floor guide
- 1.5 Dormotion unit
- 1.6 Wood door anti-jump
- 1.7 Start/stop guides
- 1.8 Roller carrier
- 1.9 Wood door adaptor
- 1.10 End cap
- 1.11 End stop
- 1.12 Cover clips

## 2.2 Securing wood door adaptor

Fig 1



**NOTE: Top of door must be reinforced to secure wood door adaptor.**

**NOTE: Seal top and bottom of door to minimize warping. (Use wood door manufacturer's recommendations.)**

2.2.1 Prepare door properly for wood door adaptor.

2.2.2 Cut wood door adaptor to be equal width of door.

### 2.2.3 M50:

- Secure wood door adaptor to top of wood door with #10 x 3" wood screws.

**NOTE: Be sure screws are always secured in the first four and last four holes of the adaptor, along with every fourth hole in between.**

## 2.3 Securing track to mounting surface

2.3.1 Ensure the track is properly level and secure it to the ceiling per the appropriate measurements on the following page.

- NOTE: SEE DIMENSION INSTRUCTIONS ON NEXT PAGE FOR REFERENCE.**

### **NOTE:**

#### **WALL REINFORCEMENT:**

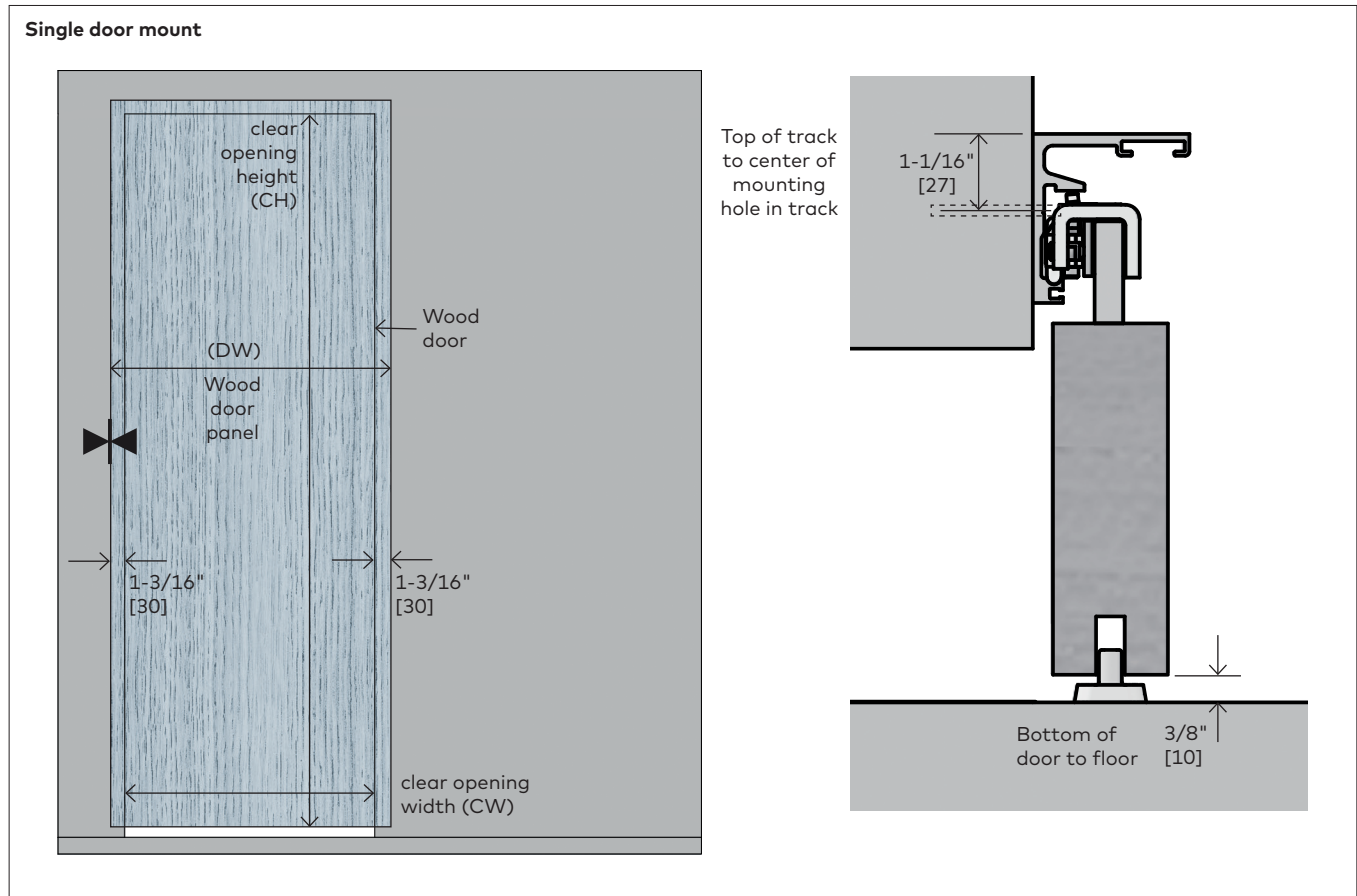
The wall reinforcement must be a minimum of ¼" [6] x 3" [76] steel angle, 16 gauge metal stud, or 1-1/2" [38] thick wood blocking secured to the wall studs on a maximum 16" [406] centers for the length of the track. The wall reinforcement may be flush on the wall surface or on the interior of the wall. For masonry walls the track may be secured directly to the wall with lead anchors.

2.3.2 Use appropriate fasteners according to the following recommendations.

Track mounting screws must fully penetrate the steel angle, metal stud, or wood blocking, utilizing the predrilled holes in the MUTO track.

Consult with a structural engineer to determine if reinforcement is adequate for your specific application or to meet specific codes in your location.

## 2.4 Door/wall dimensions

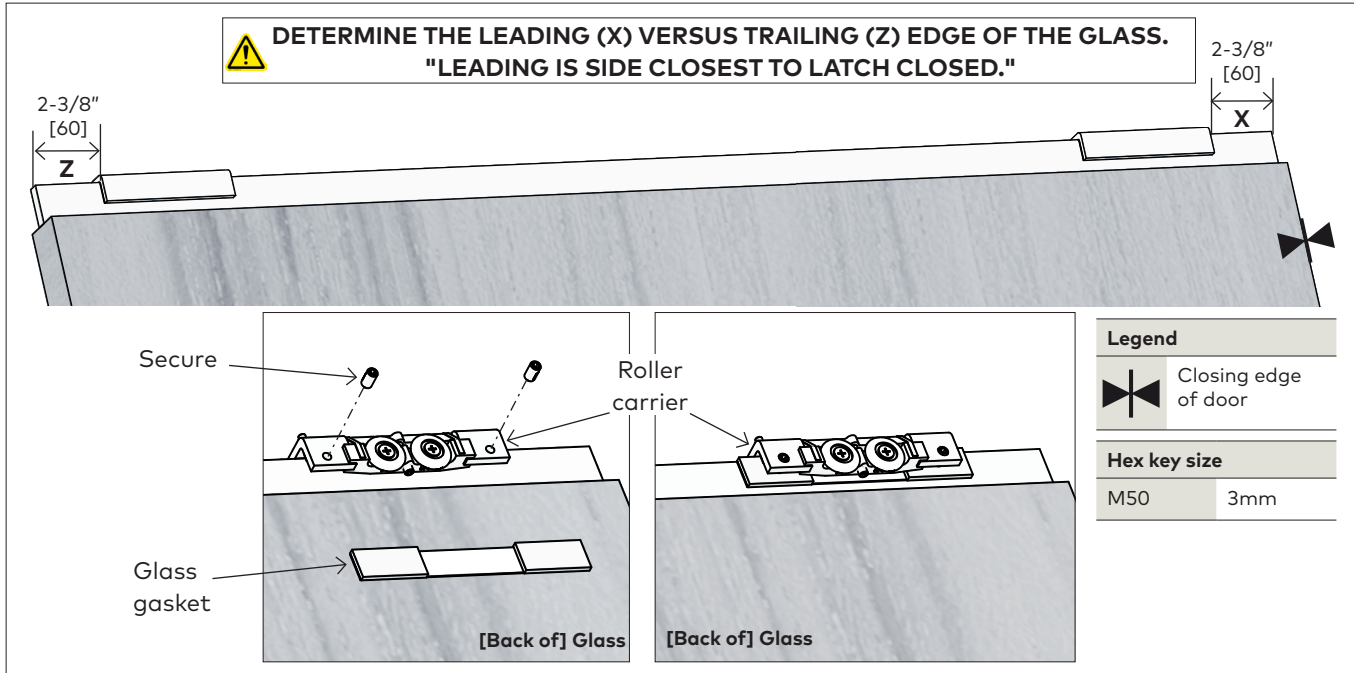


## 2.5 Specifications - technical data

		Single Door
		M50
<b>Ceiling mount</b>	Door leaf weight lbs [kg] *	≤110lbs [≤50]
* Including weight of auxiliary hardware.		

## 2.6 Installing roller carriers: on monolithic glass ONLY

Fig 2



**⚠ NOTE: FULLY CLEAN SURFACE OF ADAPTOR WITH AN ALCOHOL-BASED MILD GLASS AND SURFACE CLEANER. ENSURE GASKET IS FREE OF DEBRIS.**

**⚠ ENSURE ROLLER CARRIER WHEELS ARE FREE OF DEBRIS.**

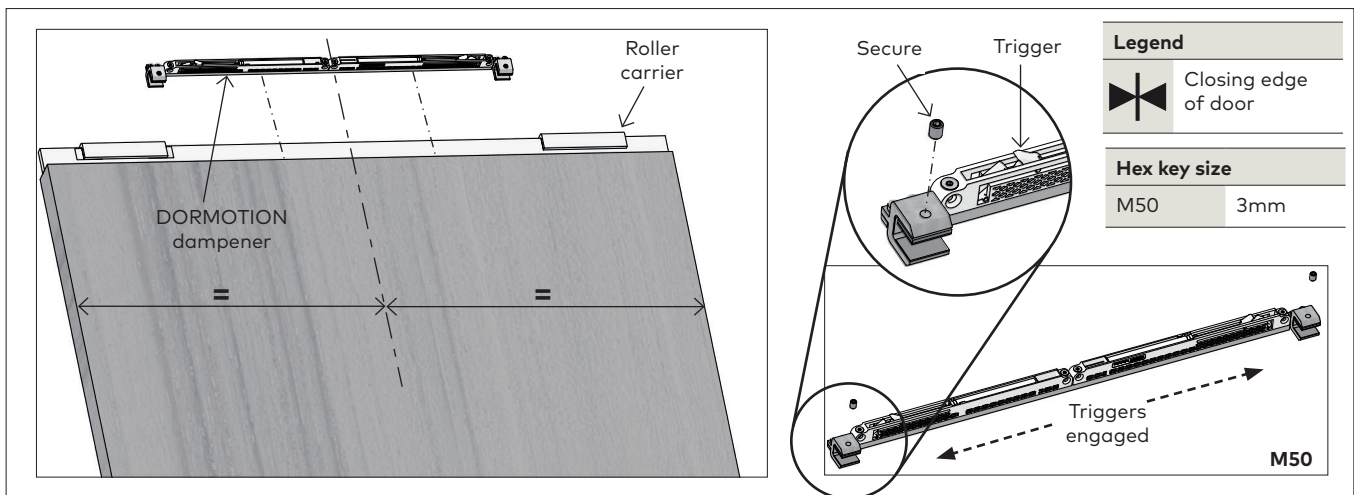
- 2.6.1 Slide roller carriers onto adaptor.
- 2.6.2 Slide glass gasket and metal shim between adaptor and roller carrier.

**NOTE: Orient gasket with rubber side facing the adaptor.**

- 2.6.3 Secure roller carriers to adaptor using appropriate-size hex key at 10 ft lbs [14 Nm].

## 2.7 Installing DORMOTION

Fig 3



- 2.7.1 Slide DORMOTION dampener onto adaptor.

**NOTE: Oriented with triggers facing outward.**

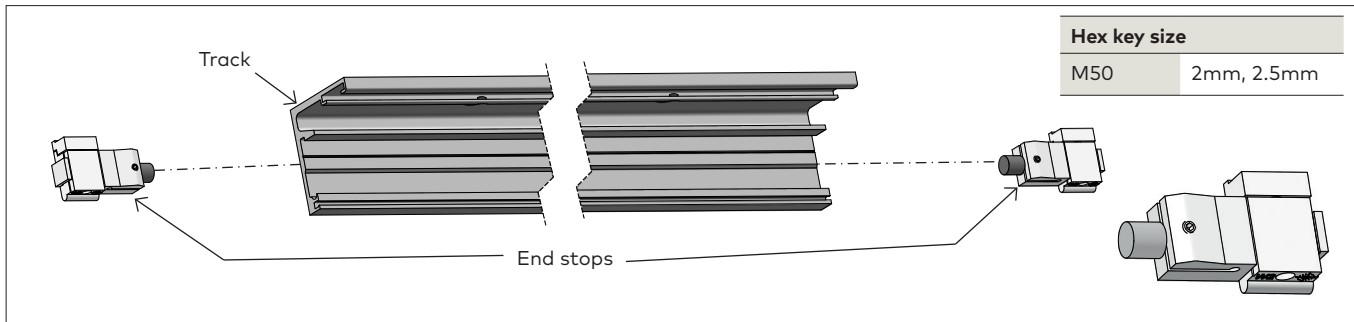
- 2.7.2 Dampener must be centered on door.

- 2.7.3 Secure dampener to door using appropriate-size hex key.

- 2.7.4 **Engage triggers:** push out towards end of DORMOTION unit.

## 2.8 Installing end stops

Fig 4



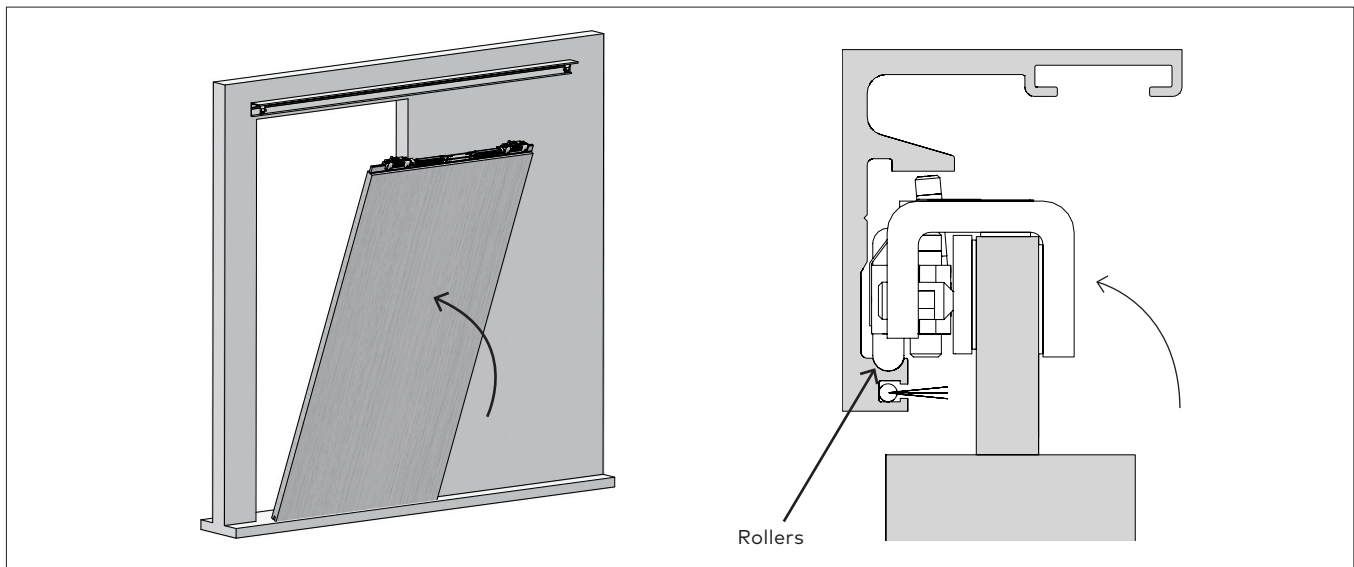
2.8.1 Slide end stops into each end of the track.

**NOTE: DO NOT FULLY TIGHTEN.**

**NOTE: Exact location/adjustments will be determined in "Adjustment End Stop Location" step.**

## 2.9 Install glass/rollers in track

Fig 5



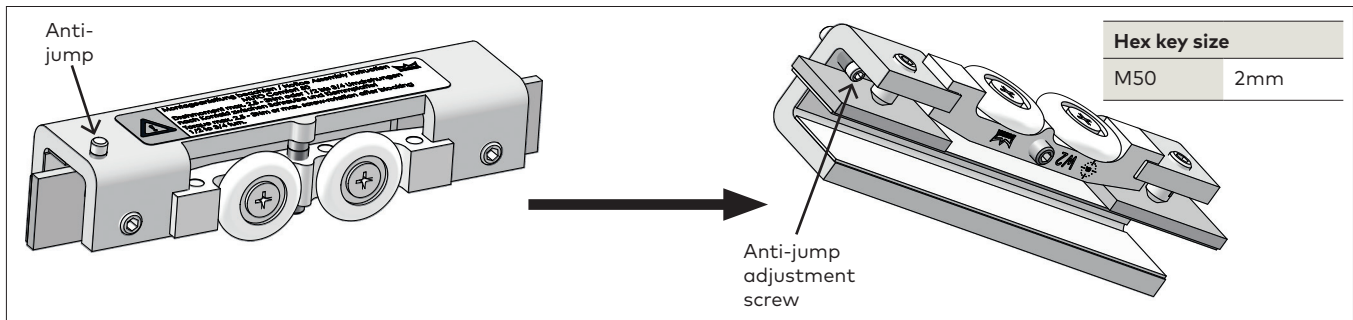
**⚠ ENSURE ROLLERS AND TRACK ARE FREE OF DEBRIS.**

2.9.1 Tip door and rollers upward and rest rollers on track.



## 2.10 Engaging anti-jump

Fig 6

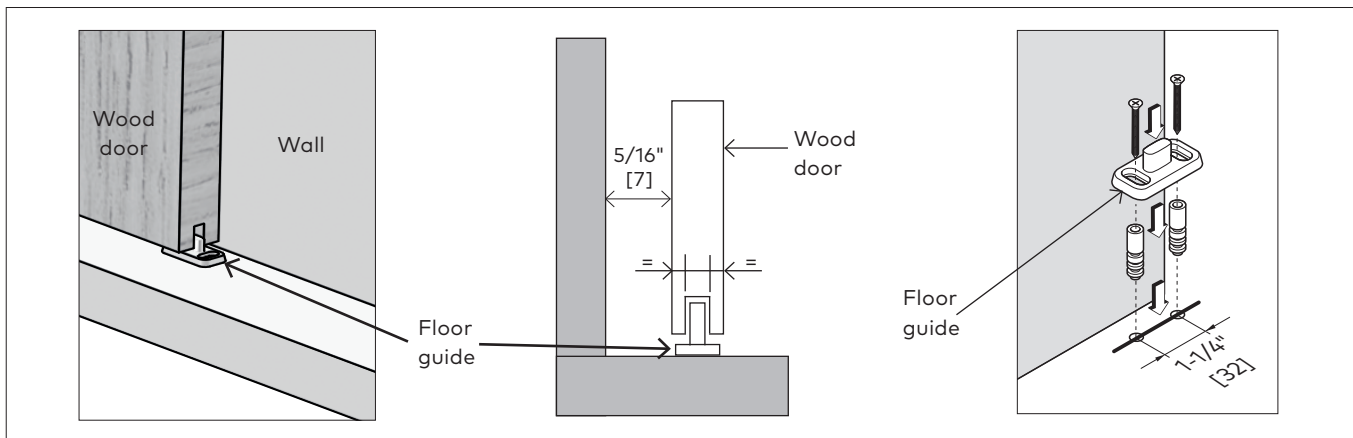


2.10.1 Temporarily engage anti-jump on roller carrier.

2.10.2 Using appropriate-size ball-end hex key, turn adjustment screw **CLOCKWISE** to **engage** anti-jump.

## 2.11 Install floor guide

Fig 7



2.11.1 Temporarily slide floor guide into bottom groove of wood door.

2.11.2 Be sure the door is plumb.

2.11.3 Mark appropriate floor guide measurements.

2.11.4 **DISENGAGE ANTI-JUMP.**

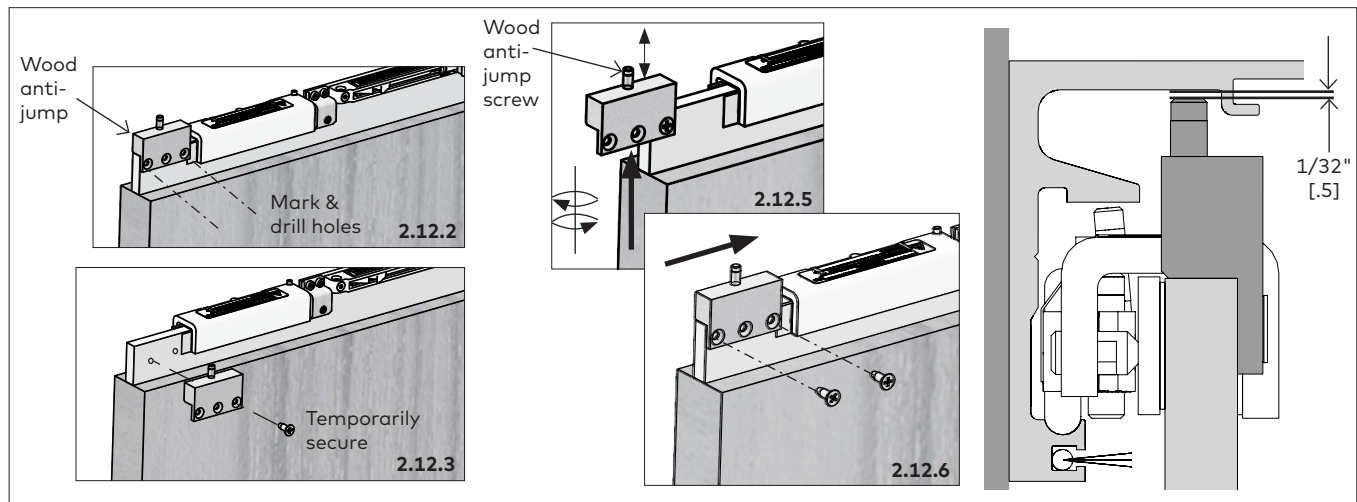
2.11.5 **TEMPORARILY REMOVE WOOD DOOR AND ROLLERS FROM TRACK.**

2.11.6 Pre-drill into mounting surface using a 5/16" drill bit.

2.11.7 Secure floor guide anchor with included fasteners.

## 2.12 Secure wood door anti-jump

Fig 8

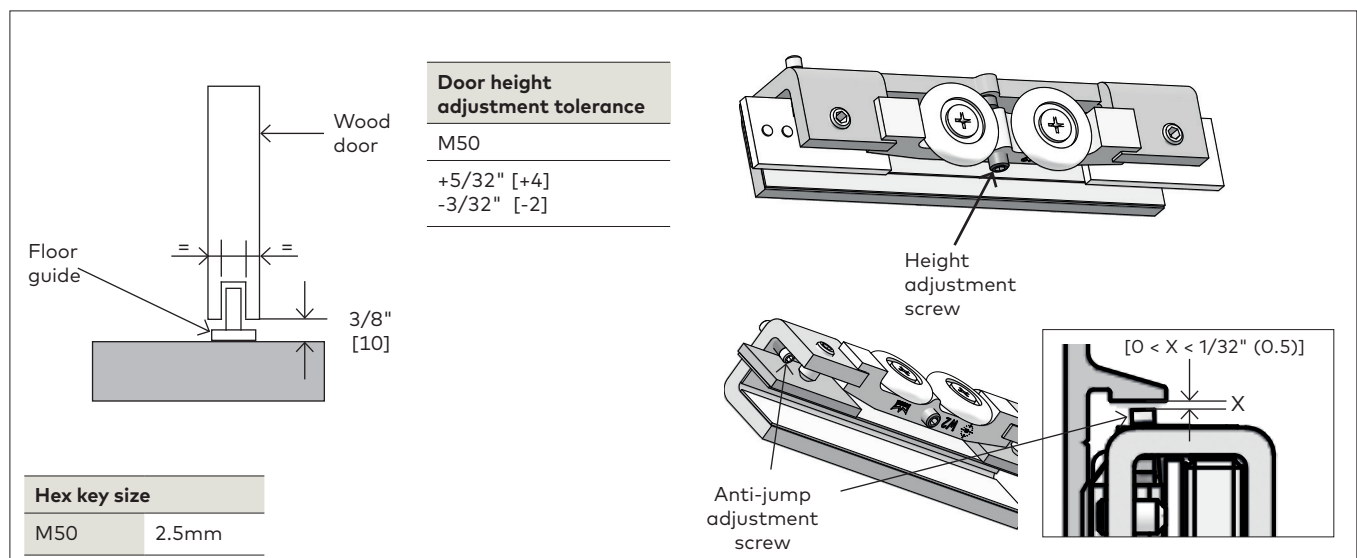


- 2.12.1 Align wood anti-jump flush with each end of wood adaptor.
- 2.12.2 Mark and drill holes for anti-jump.
- Use a 1/8" drill bit and tap.
- 2.12.3 Temporarily secure anti-jump to end of wood adaptor via outer most hole.

- 2.12.4 **SET WOOD DOOR BACK ONTO TRACK.**
- 2.12.5 **ENGAGE WOOD ANTI-JUMP** by turning anti-jump screw **CLOCKWISE**. Track clearance to be max. 1/32" [0.5].
- 2.12.6 Move anti-jump to be flush with end of wood adaptor.

## 2.13 Adjustment door height

Fig 9



- 2.13.1 **RE-ENGAGE ROLLER ANTI-JUMP** by turning anti-jump adjustment screw **CLOCKWISE**.

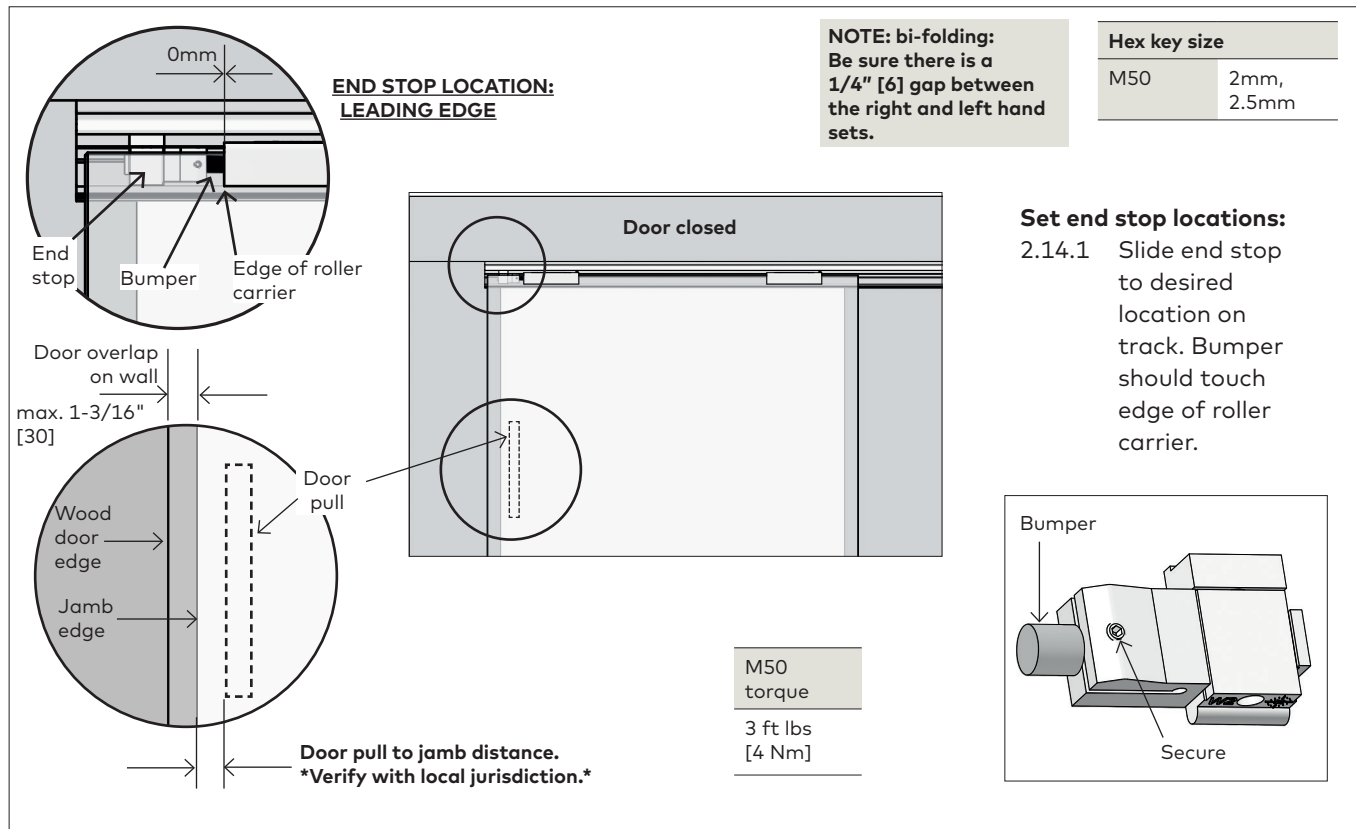
**NOTE:** Anti-jump should **NOT** touch track.

- 2.13.1 Set height of door.
- 2.13.2 Using appropriate-size hex key, turn height adjustment screw **CLOCKWISE** or **COUNTER-CLOCKWISE** to raise or lower door.

**NOTE:** Be sure wood door is level during this adjustment.

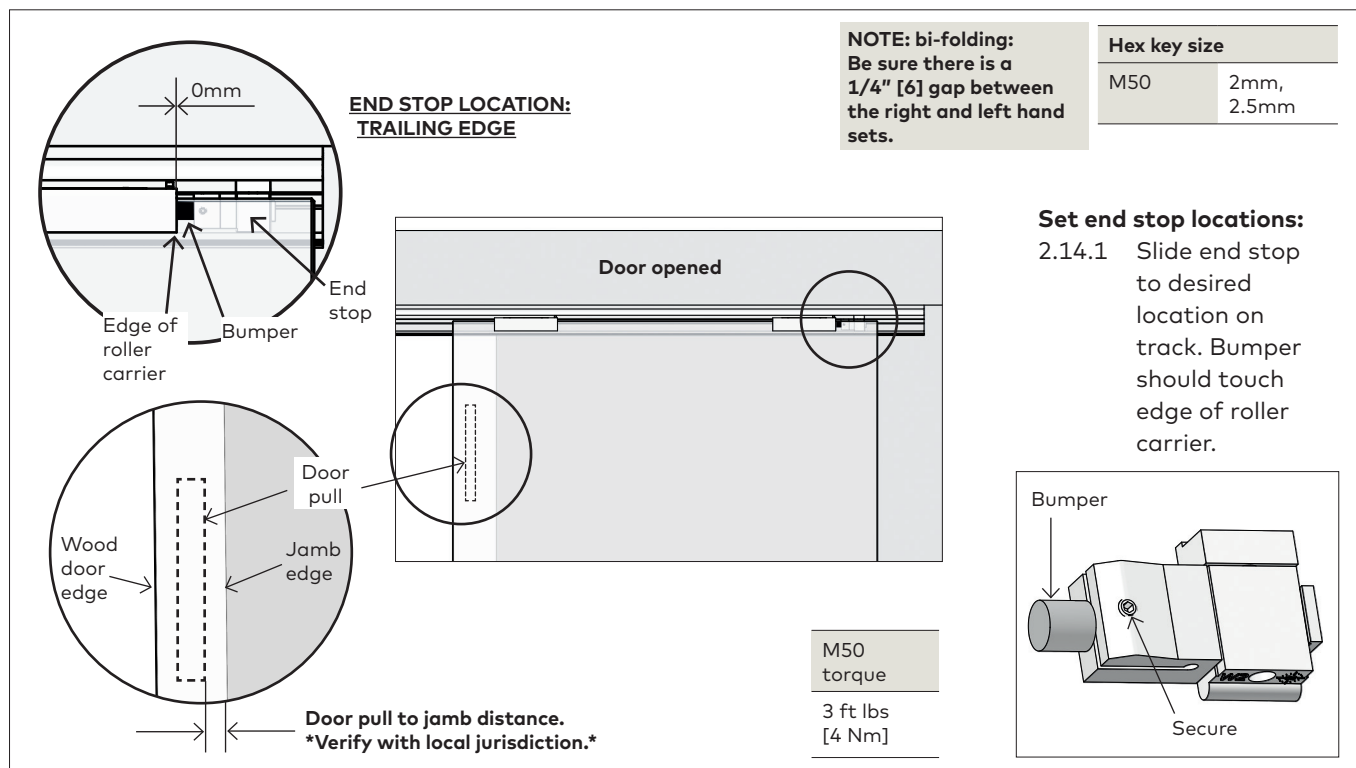
## 2.14 Adjustment end stop location: LEADING end stop

Fig 10



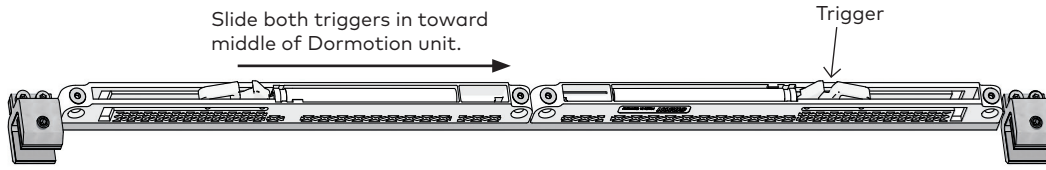
## Adjustment end stop location: TRAILING end stop

Fig 11



## 2.15 Install DORMOTION start/stops

Fig 12



Slide both triggers in toward middle of Dormotion unit.

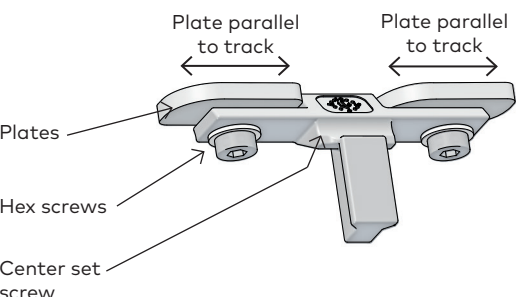
**Legend**

Closing edge of door

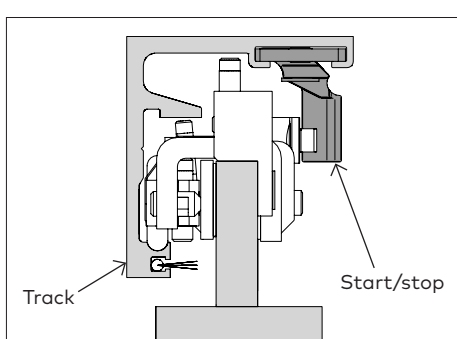
---

**Hex key size**

M50	3mm
-----	-----



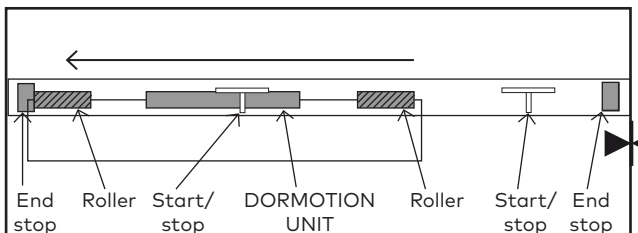
2.15.1 Loosen hex screws on plates.  
 • Plates should start out parallel to track.



2.15.2 Place start/stops into track channel.

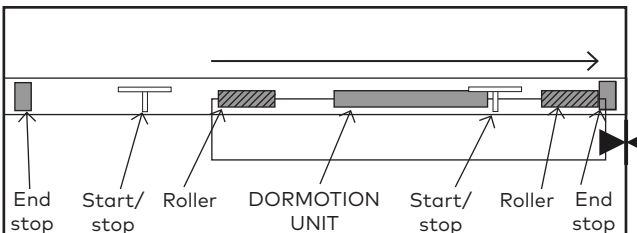
---

**DOOR OPENED**

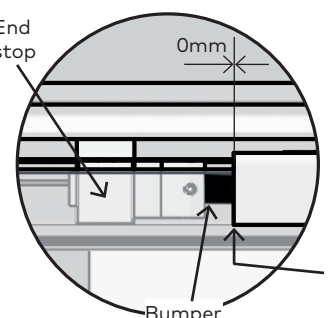


2.15.3 Slide door all the way OPEN.

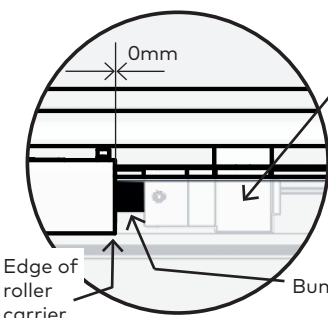
**DOOR CLOSED**



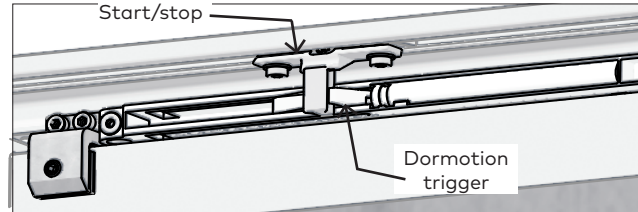
2.15.3 Slide door all the way CLOSED.



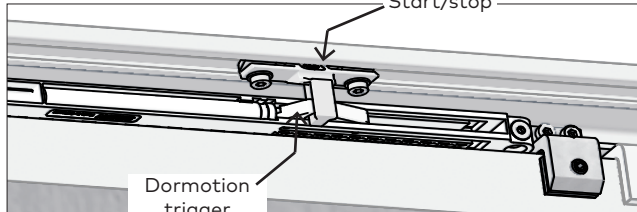
2.15.4 Carrier should touch end stop.



2.15.4 Carrier should touch end stop.



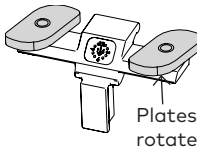
2.15.5 Slide start/stop into Dormotion unit trigger.



2.15.5 Slide start/stop into Dormotion unit trigger.

2.15.6 Rotate plates inside track to engage.

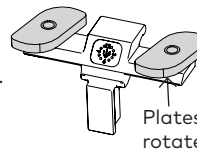
2.15.7 Fully tighten hex screws.



Plates rotated

2.15.6 Rotate plates inside track to engage.

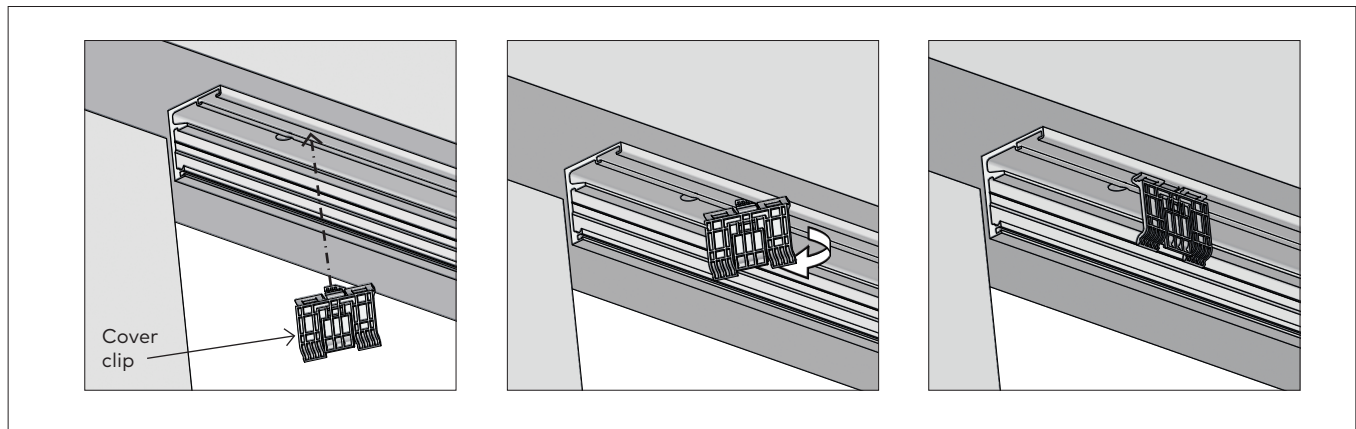
2.15.7 Fully tighten hex screws.



Plates rotated

## 2.16 Cover clips

Fig 13

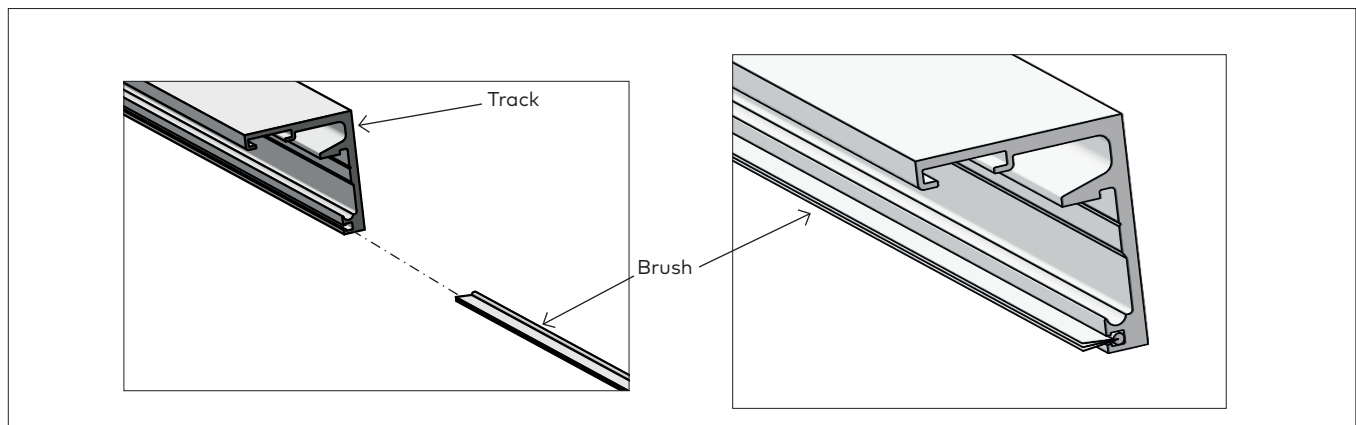


2.16.1 Insert cover clips into track. (One clip per foot)

2.16.2 Insert perpendicular to track, and turn **CLOCKWISE** to snap into place.

## 2.17 Install brush profile

Fig 14

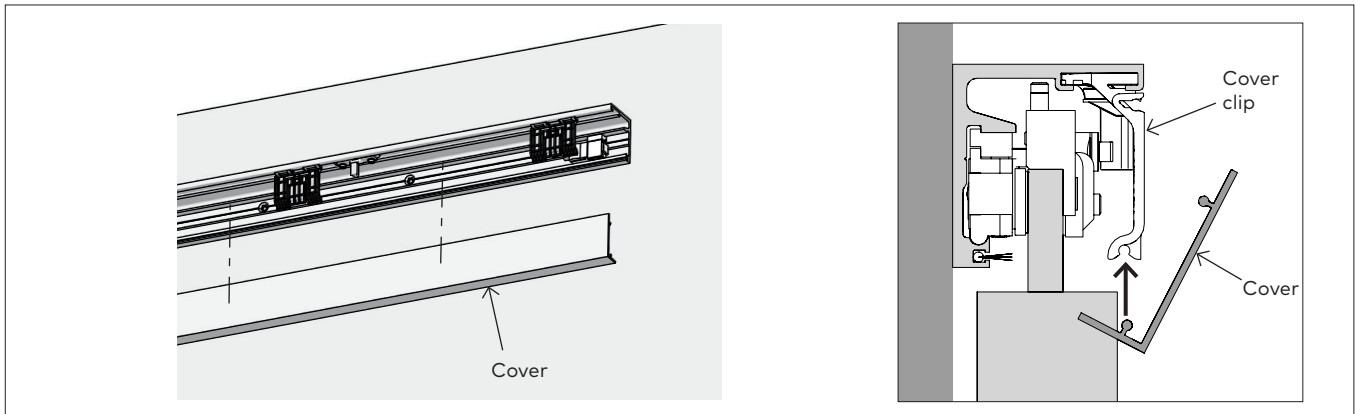


2.17.1 Measure and cut brush to appropriate length.

2.17.2 Slide brush into track.

## 2.18 Install cover

Fig 15

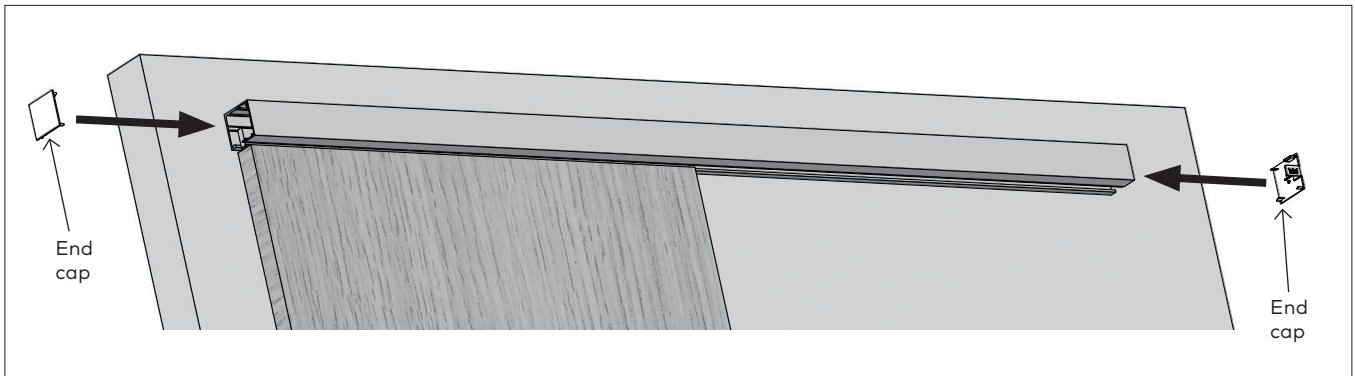


2.18.1 Secure cover to clips and snap into place.

**NOTE:** Roll cover from the bottom upwards. Ensure the bottom of the cover is supported by the groove in the cover clip.

## 2.19 Install end caps

Fig 16



2.19.1 Snap end caps onto track.

